

NEW

Accessories SAXX Switchbox



AXXAIR
INNOVATIVE ORBITAL SOLUTIONS

You have repeatable welds to perform and you want to **optimize the cycle time** of your welding operations to be **more efficient** and **increase productivity**?

The new AXXAIR Switch Box is the ideal response!

The Switchbox allows it to use two welding machines with one only orbital welding power source of the SAXX series and to use the two machines alternatively.

The parts that need to be welded can be positioned in one of the two machines while the other one is making a weld. The preparation and setting up time of the parts is thus optimized.

Once the weld is finished, the weld on the other machine can directly be started. The welded parts can be removed from the first machine and new parts can be placed in this machine.

Switch button

The green LED indicates if switching is possible. Switching is done either by this button, or by the start button of the inactive machine



Led lights

Indicate which machine is selected

Significant time saving, avoiding the simultaneous purchase of two welding power sources

Cost reduction

Intuitive and efficient use thanks to the SAXX interface

Flexibility

- Use of manual torches and ppm reader (SPPM-10)
- Use of two gas lines (depending on options chosen in the SAXX)
- Use of two wire dispensers with 2 machines (depending on options chosen in the SAXX)

Compatibility

Use of **all welding machines** compatible with the SAXX power sources *

Possibility of using 2 different machines with 2 different programs

Two gas lines for each machine

(depending on options chosen in the SAXX)

Gas flow adjustment wheels for each connected machine

SAXX connection

Connection for a welding machine

Connection for a second welding machine

U bolt common for both machines

* excluding AVC/OSC systems



NEW

Accessories SAXX Switchbox



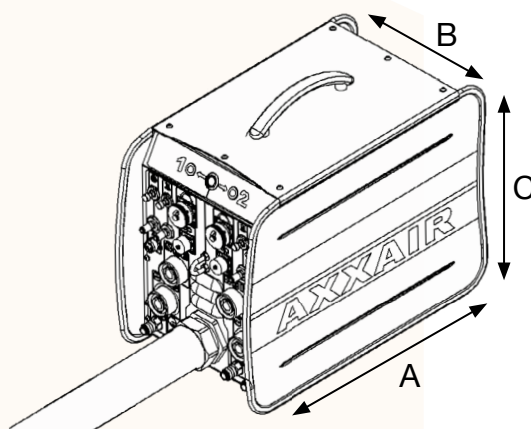
AXXAIR
INNOVATIVE ORBITAL SOLUTIONS



Technical characteristics:

- Power supply 110-230V
- 50-60 Hz (3m cable), 1,9 A max
- Max. welding current: 300A
- Length of the cables between the SASW-DGW and the SAXX: 1,5m
- Cooling circuit common to both machines
- Integrated carry handle
- Possible use of cable extensions (see accessories of welding machines) between the machines and the switchbox between the switchbox and the SAXX
- Version of the SAXX software: V2.40 or higher

- The use of two gas lines is integrated in the SASW-DGW, to be able to use it:
The option «**Second gas line**» must be chosen in the SAXX power source
- The use of wire for one or two machines (two wire feeders can be used):
The option «**Wire feed**» must be chosen in the SAXX power source



Product Code	Description	Net weight	Dimensions (AxBxC)
SASW-DGW	Switchbox	13 kg (with cables)	467 x 247 x 385 mm

Compatible with:

- SATF (SATF-M, SATF-ND and SATF-MI), SATO (SATO-M, SATO-ND and SATO-E), SX, SATP, SXMF
- AML models 8, 9 and 95, Polysoude : UHP, MW and MU IV, Orbitalum : Orbiweld and Orbiweld S, ESAB : PRB, Orbitec : OSW

Product Code	Description
SASW-CCO	Coupling pipe cooling circuit for Switchbox

Allows to control 2 machines with different cooling circuits

✓ SAXX-200	✓ SAXX-210
------------	------------

Join experience

